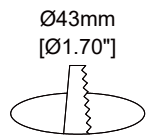
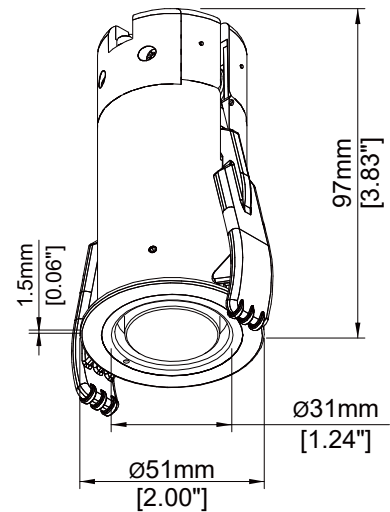


# Specification sheet

Rev.5

# Lithe25 RD WW, Colour Round

1" Architectural Wall Wash



## Description

Lithe 25 RD WW is a 1" wallwash downlight designed to deliver a beautifully distributed light on your walls. Tailored designed asymmetric TIR optics and carefully selected frosted glass achieves an asymmetrical well-dif-fused lighting effect. Designed with a minimal trim appearance, this luminaire with truly 1" aperture blends into the ceiling seamlessly making it perfect for any residential and commercial projects.

## Features

LED	Lumileds Luxeon M LED Array
Color temperature	2700K/ 3000K/ 3500K/ 4000K
Optics	Wide 40°
Trim Finishes	Black-interior and white flange
Ceiling Cutout	Ø 43mm [1.70"]

## Performance

Delivered output	Up to 600 lm (90+ CRI)
Power consumption	Up to 8.5 W
Color rendering	90+ CRI (80+ CRI optional)
Color consistency	3 SDCM
CBCP	Wide 367cd

## Electrical and Control

Input voltage	See recommended LED driver list
Control	TRIAC/ELV or 0-10V dimming
Feature	Overload & short circuit protection
Lumen maintenance	L80 B10 50,000 hrs

## Construction

Material	Machining grade Aluminum
Trim shape	Round
Lens	Interchangeable TIR optics
Accessories	Softening diffusing film

## Rating/ Certification/ Warranty

- Dry and damp Locations
- RoHS compliant
- 5 years/ L70 50,000 hrs warranty
- UL Listed

## Ordering Code Information

PRODUCT	TRIM STYLE	LUMEN	COLOR TEMPERATURE	FINISH	BEAM ANGLE	COLOR RENDERING
LTE 25 WW	R	06	27	WHBK	W	9
LTE 25 WW	R Round S square	06 600lm	27 (2700K) 30 (3000K) 35 (3500K) 40 (4000K)	WHBK(White/Black)	W (Wide) / 40 deg.	8 (80+ CRI) 9 (90+ CRI)

# Specification sheet

Rev.5

Lithe25 RD WW, Colour Round  
1" Architectural Wall Wash

## Recommend LED Driver:

Driver No.	Input Voltage	Dimming	Note
DE-1-700-10	120V	TRIAC/ELV	
DE-1-900-10	120V	TRIAC/ELV	Consult Factor
DE-4-700-10	220-240V	TRIAC/ELV	
DE-4-900-10	220-240V	TRIAC/ELV	Consult Factor
DA-3-700-10	120-277V	0-10V DIMMING	

## Photometrics

MULTIPLYING FACTORS: (Multiplying Factor is based on 3000K-90+CRI IES file on website)

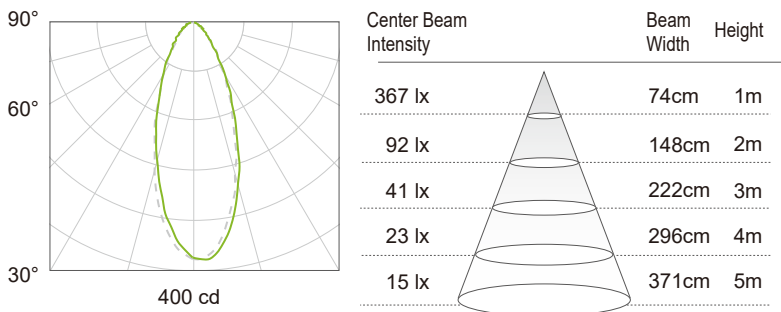
CCT	2700K-80+	3000K-80+	3500K-80+	4000K-80+
Factors	1.12	1.2	1.22	1.27

CCT	2700K-90+	3000K-90+
Factors	0.94	1.0

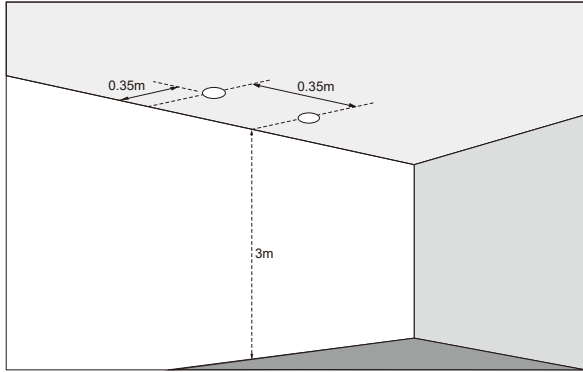
8.5W | 90CRI | 3000K

## Wide 40°

Delivered Output : 275 lm | CBCP : 367 cd | Beam Angle : 40°

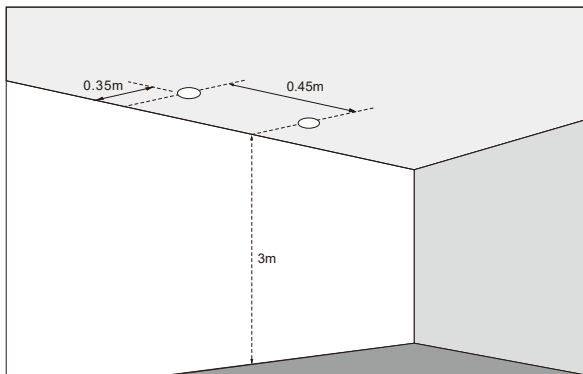


Lith 25 RD Wall Wash



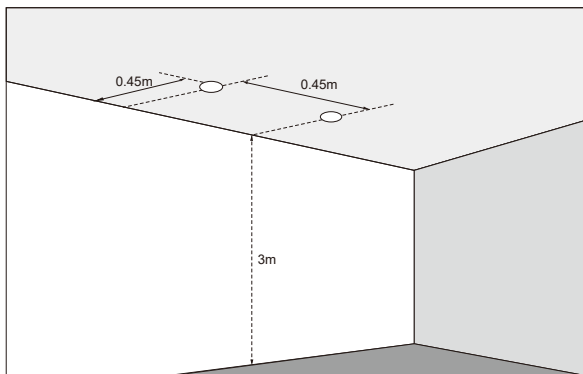
Multiple unit data

Lux on wall	0.35 from wall - 0.35 on center (m) point spacing 0.175m		
0.3	53	61	53
0.6	130	145	130
0.9	120	135	120
1.2	85	92	85
1.5	55	60	55
1.8	36	38	36
2.1	25	25	25
2.4	17	17	17
3.7	12	12	12
3.0	9	9	9



Multiple unit data

Lux on wall	0.35 from wall - 0.45 on center (m) point spacing 0.225m		
0.3	47	53	47
0.6	114	129	114
0.9	107	120	107
1.2	75	85	75
1.5	50	55	50
1.8	33	36	33
2.1	23	25	23
2.4	16	17	16
3.7	12	12	12
3.0	9	9	9



Multiple unit data

Lux on wall	0.45 from wall - 0.45 on center (m) point spacing 0.225m		
0.3	33	37	33
0.6	75	85	75
0.9	81	91	81
1.2	68	75	68
1.5	50	55	50
1.8	36	40	36
2.1	26	28	26
2.4	19	20	19
3.7	14	14	14
3.0	11	11	11